

> NewBingo series semi-electric mini lifter

Multifunction mini lifter with manual drive and electric lifting. Available with load capacity of 100 or 200 kg and with lifting heights of 1500 or 2000 mm. Fitted with two 12V 38Ah batteries that require no maintenance and a 24V 6A built-in charger. Painted steel or Aisi 304 stainless steel frame, aluminium mast and ABS cover. Poly castor wheels with parking brakes and individual fixed poly rollers with the standard version, also available with front twin or castor wheels. It can be provided with different standard accessories (refer to the table regarding residual loads) or with equipment designed specifically according to the customer's requirements. For further information, visit the site **www.levanteminilifter.com**. **Made in Italy.**

> Tools



SR - Spur with rollers

S - Spur

C - Rollers platform

PV - Glass Holder

F - Forks

B - Reel Holder



R - Roto-reel

P - Platform

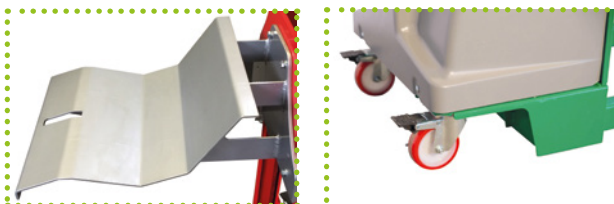
WS - Weighing Forks



G - Crane Arm

A - Clamp

DS - Double Spur



CF - Frontal Reel holder

Detail of rear swivel wheels with brake



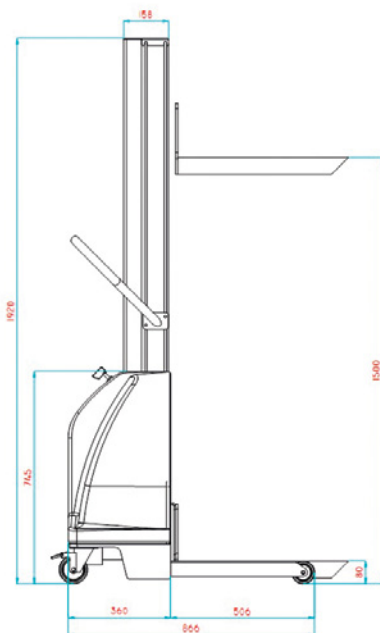
Detail of frontal swivel rollers (optional)

Detail control plate



> NewBingo series semi-electric mini lifter

Mod.	Tools	Descrip.	Dimensions LxW mm	Material	Note	NEWBINGO 100	NEWBINGO 200	NEWBINGO 100.2	NEWBINGO 200.2
F	Forks		600x375	Painted Steel	Available also in Stainless steel Aisi 304	100	200	100	200 fino a 1.5 m 100 da 1.5 a 2.0 m
DS	Double spur		600x240/360	Painted Steel		100	200	100	200 fino a 1.5 m 100 da 1.5 a 2.0 m
S	Spur		600	Painted Steel	Available also in Stainless steel Aisi 304	100	200	100	200 fino a 1.5 m 100 da 1.5 a 2.0 m
SR	Spur with rollers	with 6 nylon rollers and safety stop	540	Painted Steel		100	200	100	200 fino a 1.5 m 100 da 1.5 a 2.0 m
B	Reel Holder		600x390	Painted Steel	Available also in Stainless steel Aisi 304	100	200	100	200 fino a 1.5 m 100 da 1.5 a 2.0 m
CF	Frontal Reel Holder			Painted Steel	Available also in Stainless steel Aisi 304	100	200	100	200 fino a 1.5 m 100 da 1.5 a 2.0 m
BP	Swivel Reel Holder		600x400	Painted Steel	Available also in Stainless steel Aisi 304	100	150	100	200 fino a 1.5 m 100 da 1.5 a 2.0 m
A	Clamp	Ø Min/max Reels and Drums Ø 300/600 mm		Painted Steel	Available also in Stainless steel Aisi 304	-	100	-	100
P	Platform	Screwed on Forks	600x500	White Nylon	Available also in smooth painted plate or in checker plate or stainless steel Aisi 304 or 316.	100	200	100	200 fino a 1.5 m 100 da 1.5 a 2.0 m
C	Rollers Platform	with 6 rollers and upper protection and side guards	600x500	Painted Steel	Available with perpendicular and parallel to the forks	100	200	100	200 fino a 1.5 m 100 da 1.5 a 2.0 m
G	Crane Arm	5 position Swivel Hook	600	Painted Steel		100	150	70	70
PV	Glass Holder	with adjustable sucker		Painted Steel		100	-	100	-
WS	Weighing Forks	with Ravas weighing system	590x370	Painted Steel		100	200	100	200 fino a 1.5 m 100 da 1.5 a 2.0 m
R	Roto Reels			Painted Steel		50	100	50	100



Model		NEWBINGO 100	NEWBINGO 100.2	NEWBINGO 200	NEWBINGO 200.2
Capacity*	kg	100	100	200	200 fino a 1500 mm 100 fino a 2000 mm
Lifting min /max	mm	80/1500	80/2000	80/1500	80/2000
Mast Height	mm	1920	2420	1920	2420
Rollers	N/Ø mm	2/ 80 x 30			
Wheels	N/Ø mm	2/ 100 x 30			
Lifting motor	V/W	24/300		24/330	
Lifting speed	cm/sec	8,3/6,0		8,3/5,0	
Battery	Nx V/Ah	2x12V/38Ah			
Charger	V/A	24/6 a bordo			
Weight	kg	100	110	100	110

* Always check the actual capacity of the truck with the table tools

